

ECLIPSE LIGHT  
COLLECTION

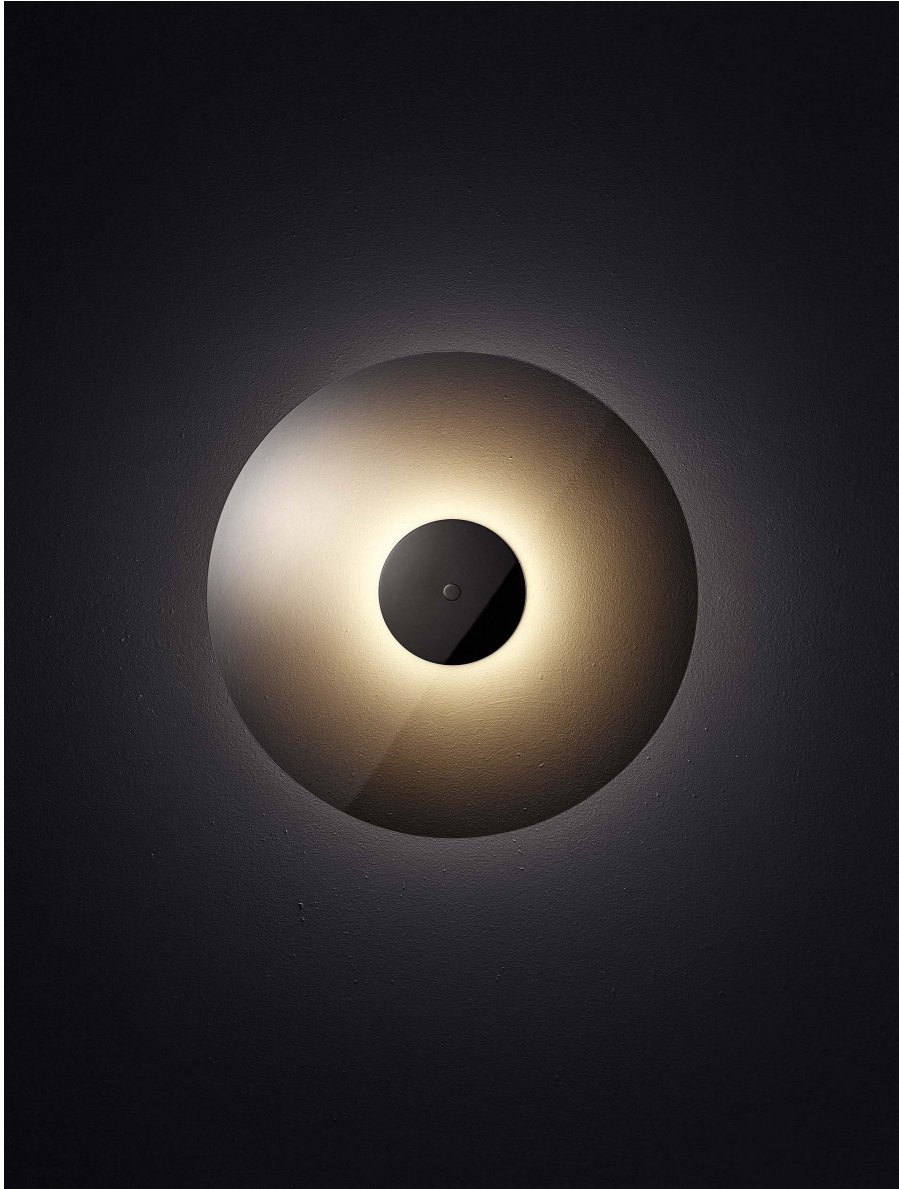
DECHEM



from left:  
suspended vertical, suspended horizontal, wall mount

## ECLIPSE LIGHT VARIATIONS

The backlit mirror creates the effect of a never-ending space, which augments the magical effect of Eclipse.



from left:  
wall mount, suspended vertical, suspended horizontal

# ECLIPSE LIGHT SIZES

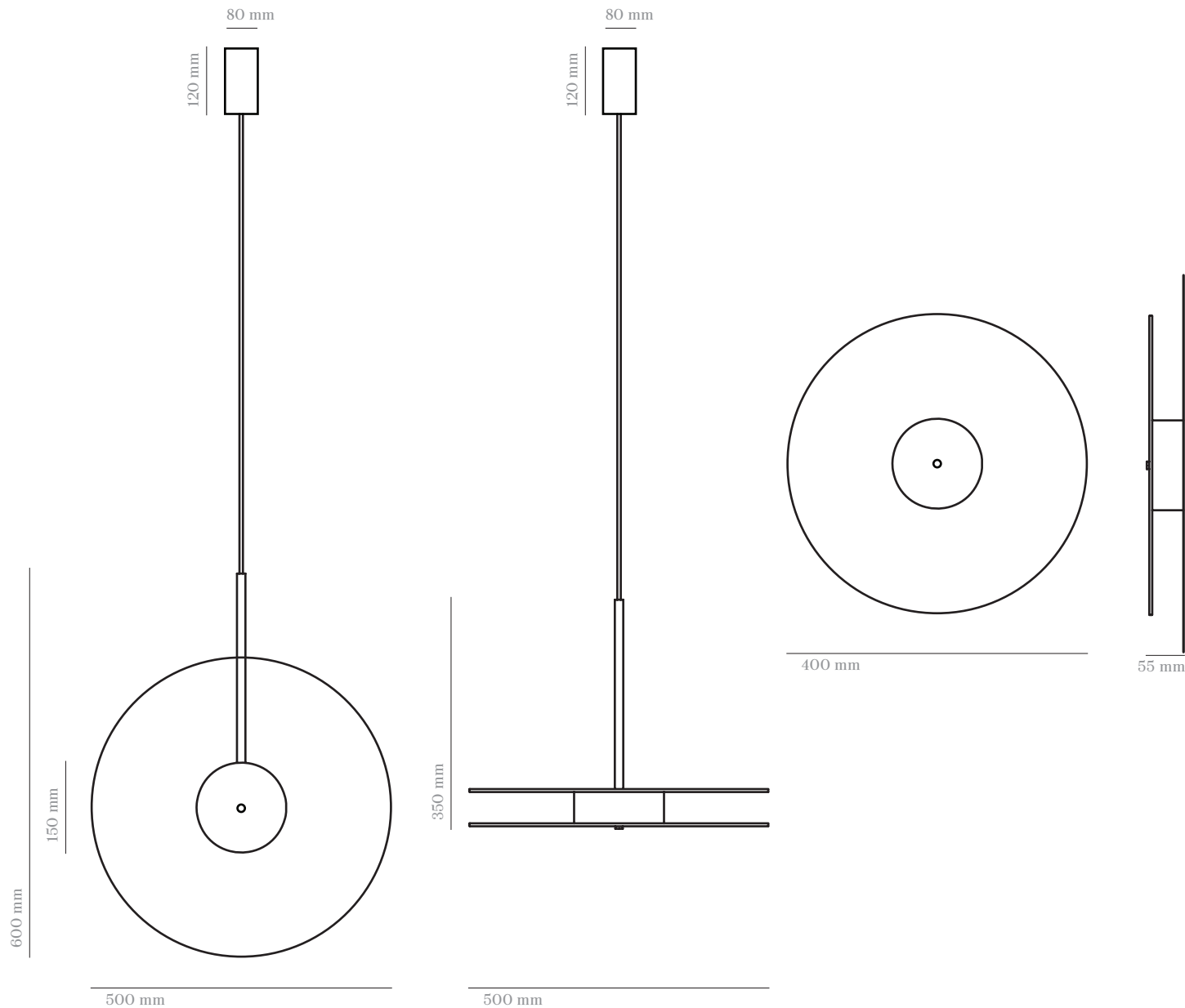
ceiling canopy  
polished brass

textile covered cable  
3x0,75  
black colour  
1,5 m

metal fixture  
polished brass

LED 12V  
15 W

flat metallised glass



## **DECHEM STUDIO**

Na Zátorách 5,  
Praha 7, 170 00  
Czech Republic

Jakub Jandourek

[jakub@dechemstudio.com](mailto:jakub@dechemstudio.com)

+420 605 533 446

[dechemstudio.com](http://dechemstudio.com)